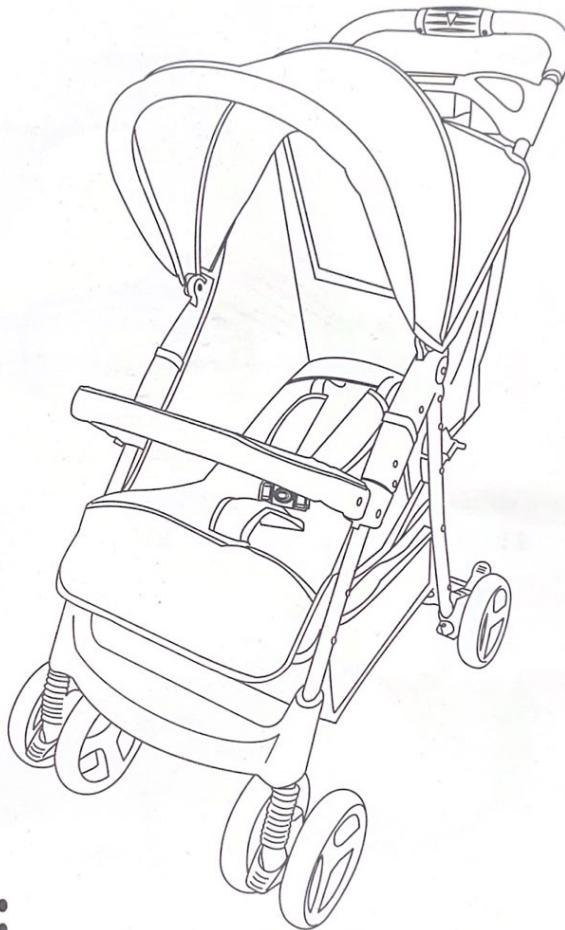


  
babylo®


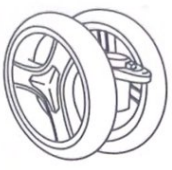
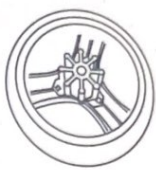
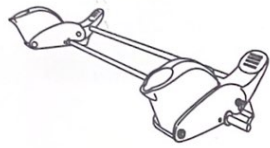
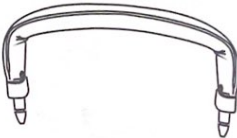



# STARMAX PUSHCHAIR

Instruction manual



**IMPORTANT:  
RETAIN FOR FUTURE REFERENCE  
READ CAREFULLY**

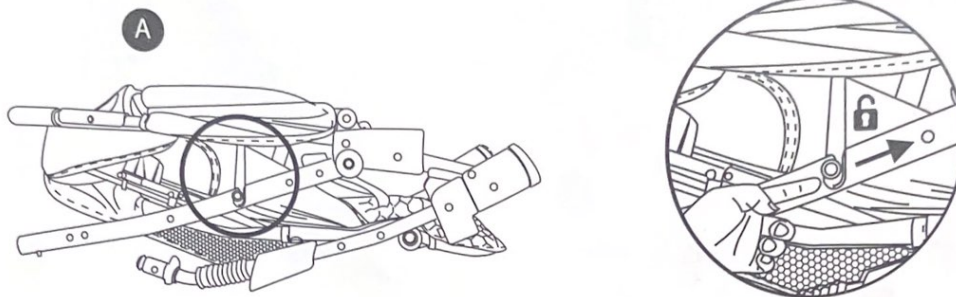
# Parts List

<p>A</p>  <p>stroller x1</p>	<p>B</p>  <p>front wheels x2</p>	<p>C</p>  <p>rear wheels x2</p>
<p>D</p>  <p>rear wheel axle x1</p>	<p>E</p>  <p>bumper bar x1</p>	<p>F</p>  <p>washer x4</p>
<p>G</p>  <p>cotter pin x2</p>	<p>H</p>  <p>rear wheel cover x2</p>	

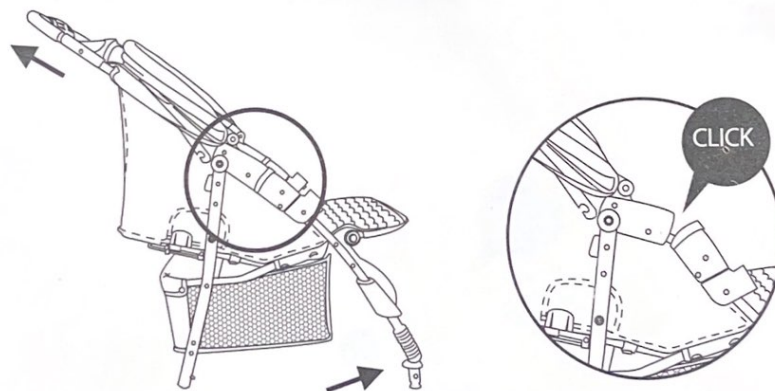
# Assembly

1. Release the stroller (A) from the locked position by lifting the locking catch from over the locking rivet on the stroller frame.

**HINT.** You may have to squeeze the stroller legs and handles together first so as to release the tension on the rivet.



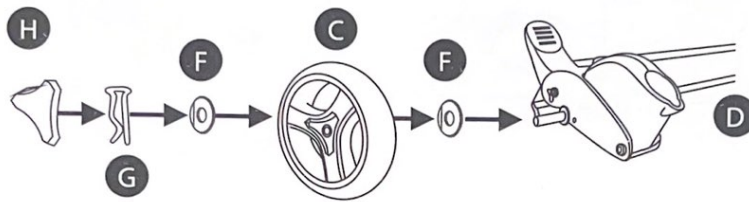
2. Lift the handle upwards, at the same time the front legs will move forwards. Lift the frame until it is completely open, you will hear a "click" indicating it is locked into place.



# Assembly

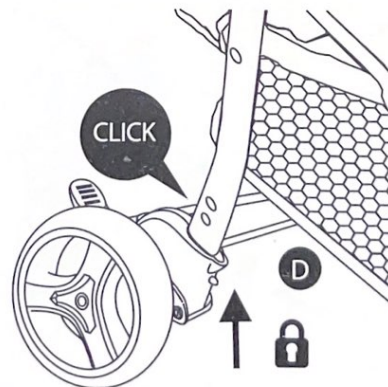
3. Locate one cotter pin (G), two washers (F) and one rear wheel cover (H). Ensure one washer (F) is on the end of the rear axle (D). Place one wheel (C) followed by the other washer (F) and secure with one cotter pin (G). Finally attach the wheel cover (H) as illustrated. Repeat for the other side.

Cotter pin  
inserted as  
shown



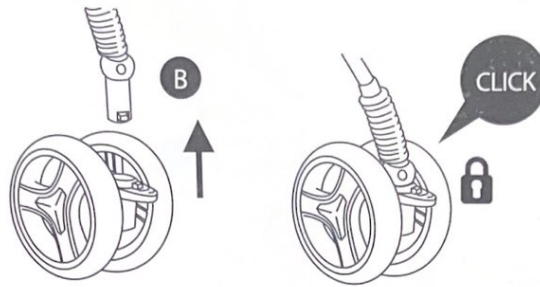
4. Attach the rear wheel axle (D) to the rear of the chassis. Push in until you hear a "click".

**To remove** the rear wheels, simply press the grey pin located on the metal wheel axle and pull the wheel off.

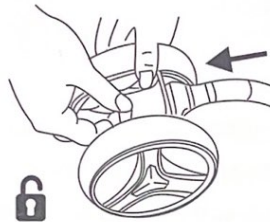


# Assembly

5. Insert each front wheel (B) pin into each front leg tube. A "click" will be heard indicating that it is locked correctly into position. Give each wheel a tug to ensure they are securely attached.

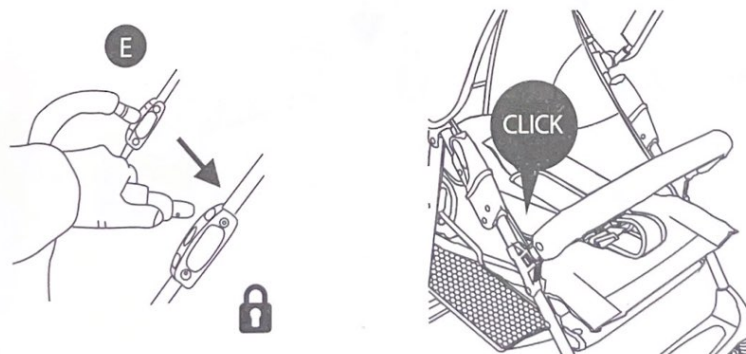


To remove locate the spring positioned between the wheels and squeeze to release.



6. Insert the bumper bar (E) into the corresponding slots on the frame, push until you hear a "click". Give the bumper bar a tug to ensure it's securely in place.

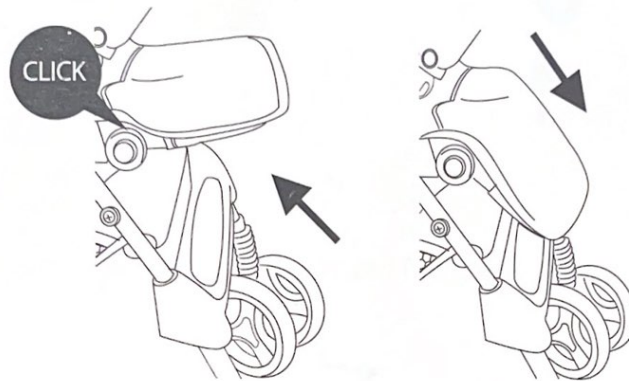
To remove the bumper bar, simply press the release buttons on both sides and lift off.



# Calf & Backrest Adjustment

## Calf Adjustment

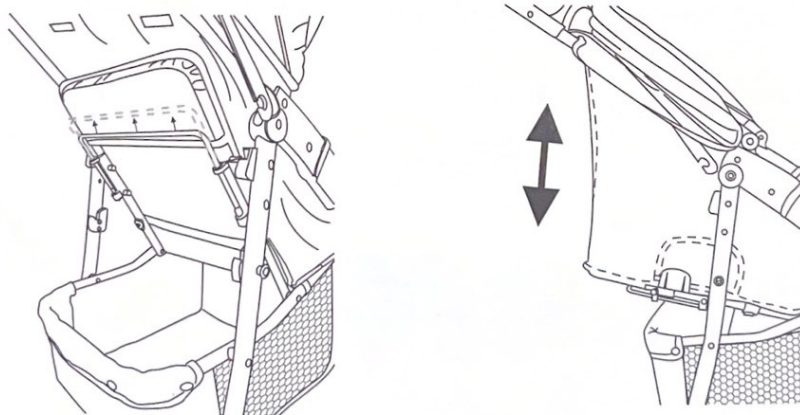
Locate the adjustment buttons either side of the calf-rest. Push to adjust to the required position. Listen for the "click" signalling that the calf-rest is locked into position.



## Backrest Adjustment

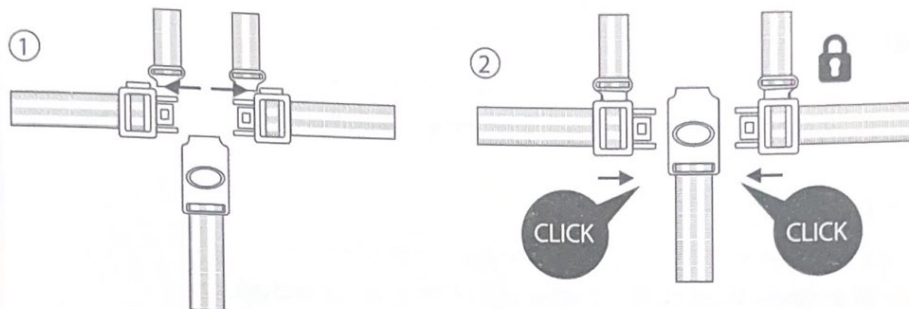
There are 3 adjustment positions.

To adjust pull the adjustment handle up until it is open, adjust the backrest up or down until it is in the desired position, then release the adjustment handle.



# Harness Adjustment

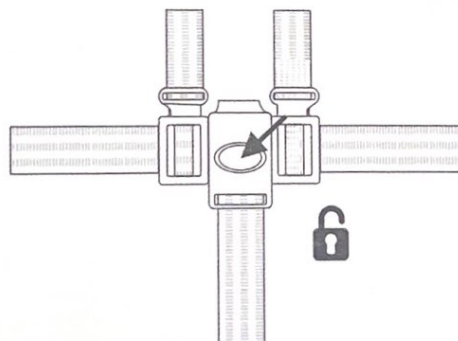
1. To fasten the harness, slide the shoulder harness prongs into the waist harness connector housing. Repeat for other side.
2. Insert the waist connector prongs into the main crotch strap buckle housing. Listen for the "click" sound.



## **WARNING!**

Always adjust the harness to fit your child correctly for their comfort and safety. A loose fitting harness can be very dangerous.

To release, press the centre button and remove prongs from the buckle.



# Harness Adjustment

3. To adjust the harness, move the sliders as shown.

4. The stroller has 2 height positions. For babies under 6 months in lie-flat position, feed harness tabs through slots (a) in seat unit as shown. For children 6 months+ use the upper height position (b).



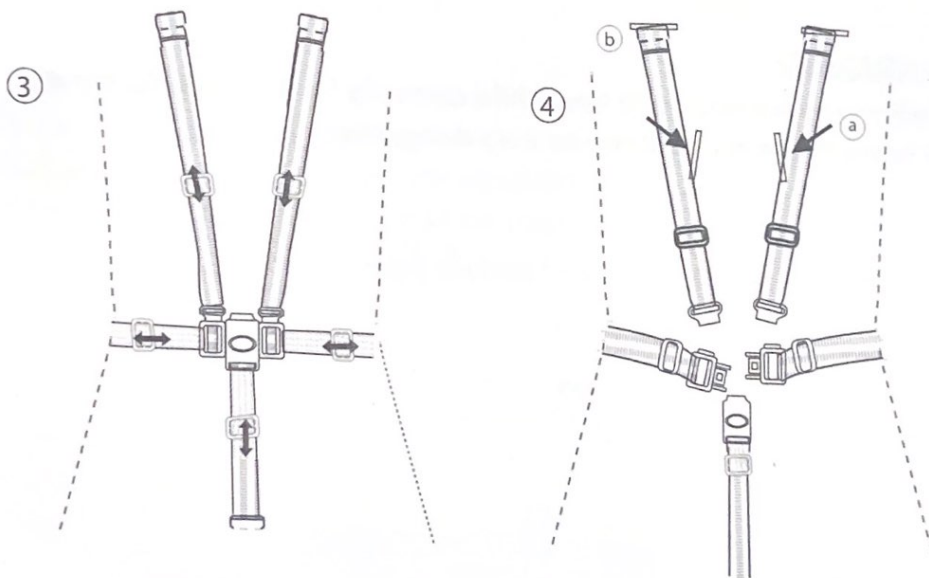
## WARNING!

Always adjust the harness to fit your child correctly for their comfort and safety. A loose fitting harness can be very dangerous.



## WARNING!

Always adjust the shoulder strap height according to baby height and ensure that both straps are at the same height.



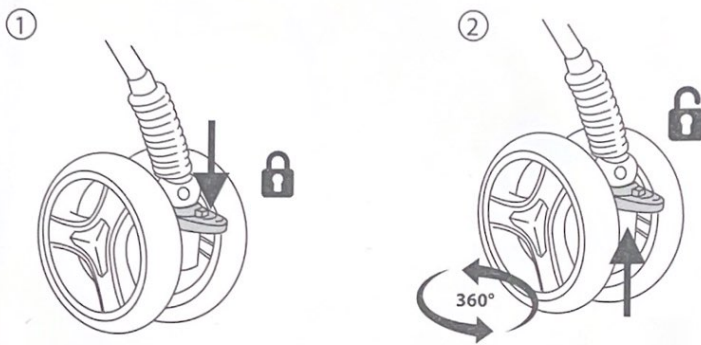


# Swivel Wheels

---

When travelling on straight surfaces or uneven ground the front wheels may spin.

1. To lock the front wheels, push down on the lever located at the front of the wheels.
2. To go back to 360° swivel mode, push lever upwards.



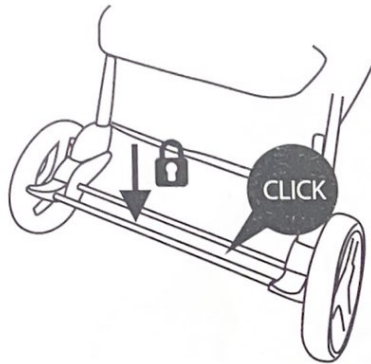
# Brakes

---

Press down on the brake bar to engage the brake.  
Listen for the "click" signalling that the brake is locked.

 **WARNING!**

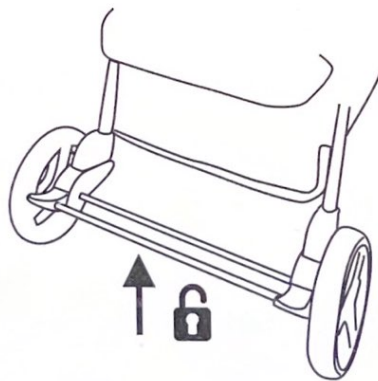
**Always engage wheel brakes when the stroller is not moving.**



To disengage the brake, push the brake bar upwards  
to disengage the brake.

 **WARNING!**

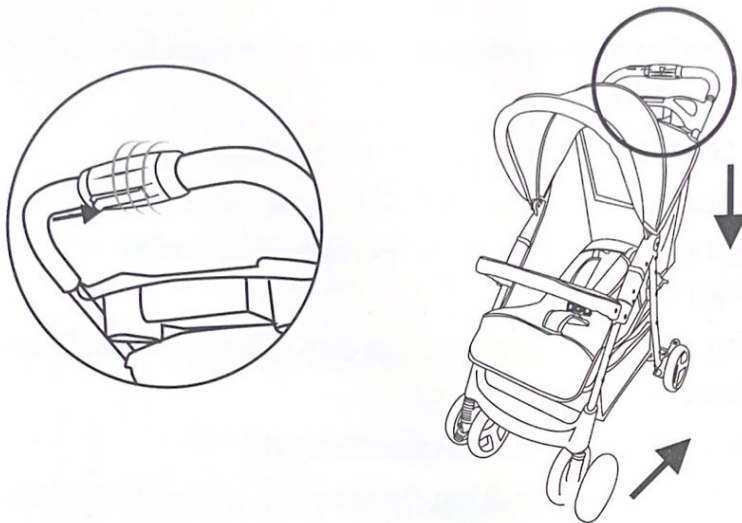
**Always apply the brake when you are placing and removing the child.**



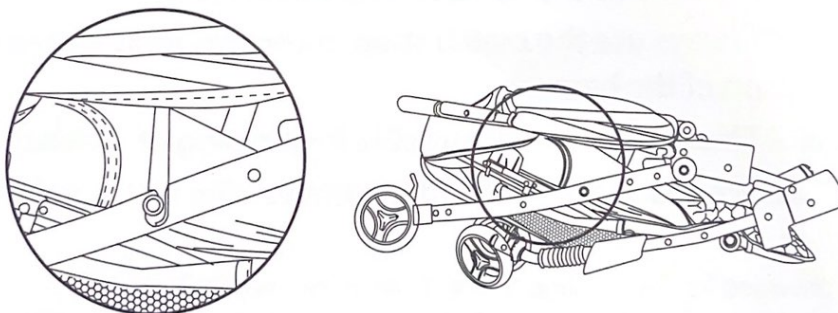
# Folding

---

1. To release slide the button located on the stroller handle. Then twist the handle.
2. Push the handle downwards, the stroller base will fold inwards at the same time.



3. Push frame together and lock the lock hook.



## Safety

---

### **IMPORTANT: KEEP FOR FUTURE REFERENCE. READ CAREFULLY**

⚠ **WARNING!** Keep for future reference. The child may be hurt if you do not follow these instructions.

⚠ **WARNING!** A child's safety is your responsibility.

⚠ **WARNING!** Before using, remove and dispose of any plastic bags and other packaging (e.g. fasteners, fixing ties, etc.) and keep them out of reach of children.

⚠ **WARNING!** This vehicle is intended for one child from Birth up to 36 months (maximum weight of 15kg).

⚠ **WARNING!** Never leave the child unattended.

⚠ **WARNING!** Ensure that all locking devices are engaged before use.

⚠ **WARNING!** To avoid injury, ensure that your child is kept away when unfolding and folding this product.

⚠ **WARNING!** Do not let your child play with this product.

⚠ **WARNING!** Always use the harness restraint system.

⚠ **WARNING!** Always use the crotch strap in combination with the waist belt section of the harness.

⚠ **WARNING!** This product is not suitable for running or skating.

⚠ **WARNING!** Any load attached to the handles affects the stability of the stroller.

- A basket is provided for the carriage of 2kg of items evenly distributed.
- The maximum load weight for the handlebar tray with cup holder is 2kg.
- YOUR CHILD'S SAFETY IS YOUR RESPONSIBILITY
- Do not let children play with or hang on the stroller.
- Do not overload this stroller with additional children, goods or accessories.

# Safety

---

- Bags and other items should not be hung from the handle as this can affect the stability of the stroller.
- Overloading, incorrect folding and the use of non-approved accessories is unsafe and may damage or break this stroller.
- Do not use parts or accessories which are not approved by the manufacturer.
- Always apply the parking brake when the stroller is stationary.
- Ensure the parking brake is engaged during the loading and unloading of children.
- Do not allow your child to climb into the stroller.
- Never leave a raincover, hood or apron on indoors, in a hot atmosphere or near a heat source as your child may overheat.
- Be careful when going up or down kerbs.
- Remove your child and fold the stroller when going up or down escalators.
- If your stroller is used by someone unfamiliar with it e.g. Grandparents, always show them how it works.
- Do not use this stroller near an open fire or exposed flame.
- Take care in windy conditions.
- Do not place anything on top of a raincover.
- To prevent your child overheating, always fold or remove a raincover when indoors or in warm environments.
- This product conforms to EN 1888-1: 2018+A1: 2022.

# Care and Maintenance

---

## Cleaning

- Spot or sponge clean fabrics with mild detergent. Use mild soap or upholstery shampoo. NEVER use bleach. Dry in shade thoroughly before reuse and avoid direct heat and sunlight. Do not iron. Do not dry clean. Do not bleach.
- Wipe clean plastics and metals with a damp cloth.
- Never clean any part of the product with abrasive, ammonia based, bleach based or spirit type cleaners.
- Ensure the product is fully dry before use or storage.
- Always ensure the product is stored in a dry place to prevent mold or mildew developing.

## Maintenance

- The product requires regular maintenance to ensure correct and safe performance.
- Regularly inspect the wheels, locks, brakes, harness, catches, seat adjusters, joints and fixings to ensure they are clean, operating correctly and in full working order.
- Regularly check and lubricate the wheels.
- Do not use this product if any part is broken, torn or missing and use only spares provided by the manufacturer.
- Always check your stroller for loose screws, ensure they are tightened properly.
- If parts become stiff or difficult to operate, ensure dirt is not the cause, then try a light application of a silicon lubricant, ensuring it penetrates between the components. Regular lubrication of moving parts will extend the life of your product and make opening and folding easier.
- After exposure to damp conditions, dry off with a soft cloth and leave fully open in a warm environment. Storing damp will encourage mildew to form.
- Store in a dry place.
- Do not leave in sunlight for prolonged periods as some fabrics may fade.

Due to variation in style and design the illustrations used in this instruction manual are generic.  
Variation in design may occur in the images shown.



Supplied by Baby Factory NZ. Ltd.  
58 Stonedon Drive  
East Tamaki  
Auckland  
New Zealand  
[www.babyfactory.co.nz](http://www.babyfactory.co.nz)