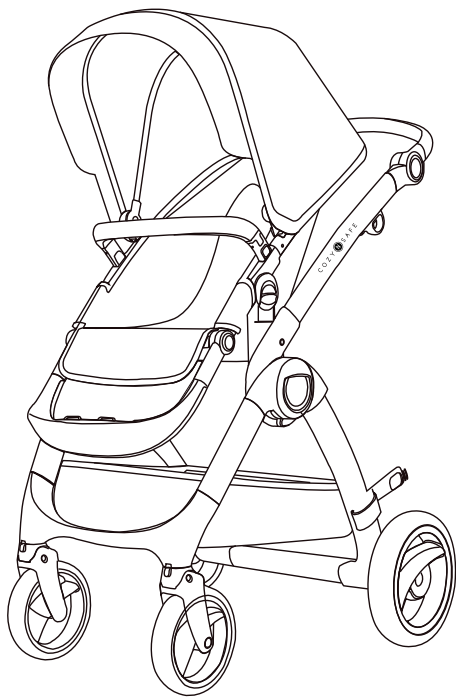




COZY **N** SAFE®
Without Compromise...

CHAMPION



Instruction Manual

EST80



WARNING

Read the instructions carefully before use and keep them for future reference.

Your child's safety may be affected if you do not follow these instructions.

The Cozy N Safe Champion Stroller is suitable for 0 - 36 months and up to 15kg.

Never leave your child unattended.

Ensure that all the locking devices are engaged before use.

To avoid injury ensure that your child is kept at a safe distance when unfolding and folding this product.

Do not let your child play with this product.

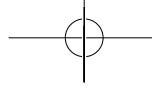
Always use the restraint system.

This product is not suitable for running or skating.

Any load attached to the handle, backrest or sides may affect the stability.

Never use stairs or escalators with your child in the stroller.

Never use the stroller near an open fire.



Never let your child climb into or out of the stroller alone.

Only use the accessories or spare parts sold or approved by the manufacturer, using other accessories could be dangerous and could cause harm to you or your child.

The brake must always be on when putting your child in or taking them out of the stroller.

Always apply the brake whenever the stroller is stationary.

Do not use the pushchair if any of the parts are damaged, torn or missing.

Push down the pedal between the rear wheels to activate the brake.

To release the brake, push the other side of the pedal down again with your foot.

Always hold the pushchair on a sloping surface, even when the brake is engaged.

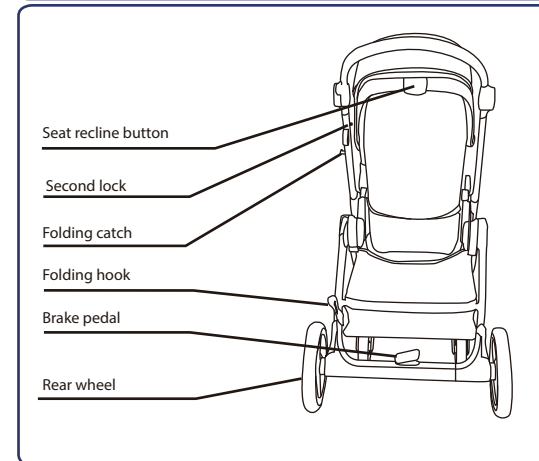
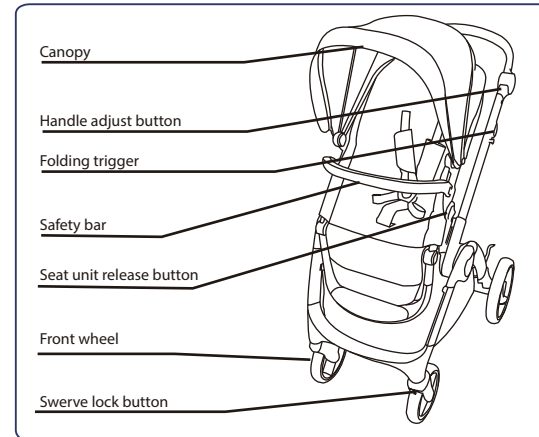
Always ensure that the safety bar (carrying handle) is correctly engaged to the seat/cot unit before use.

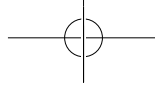
Do not overload the basket. Maximum load is 3kg.

This stroller is to be used by only one child at a time.

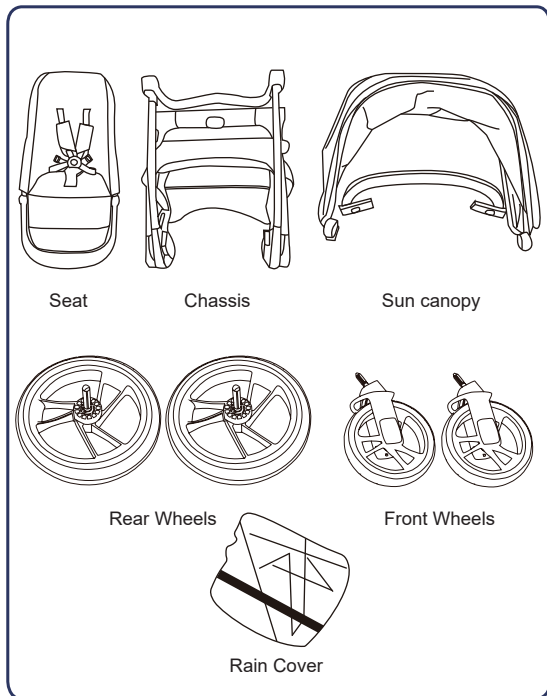
To avoid the risk of suffocation, keep all plastic bags and packaging out of reach of children.

MAIN PARTS



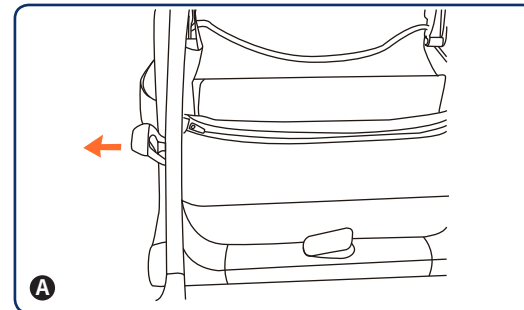


Contents

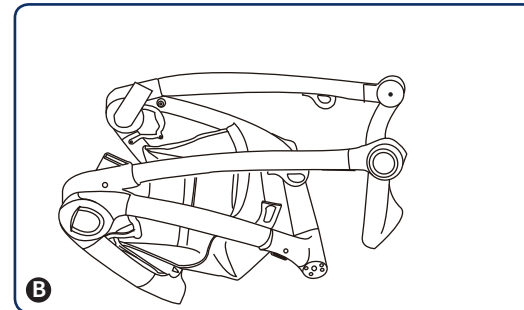


INSTRUCTIONS

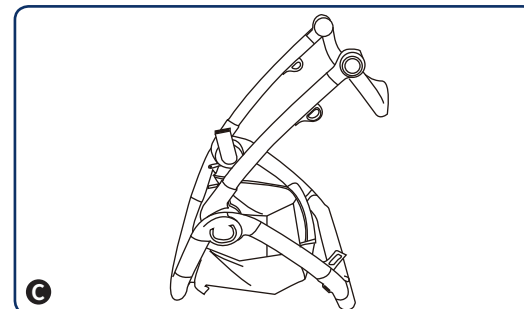
Unfolding the chassis

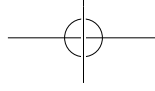


A. As shown in pic.A, please unlock the chassis lock hook in the direction of the arrow.



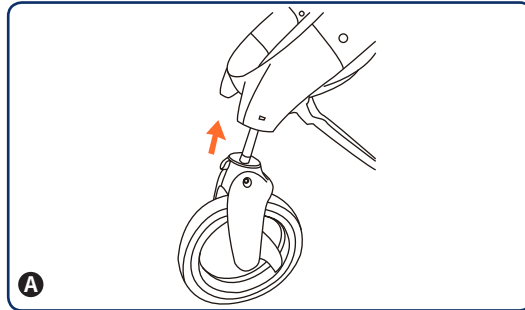
B. Unfold the chassis until it fully unfolds and locks into position as shown in pic.C.



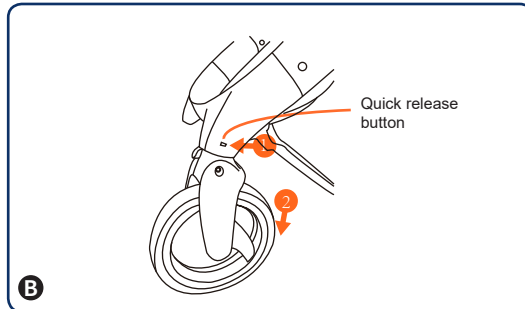


Installing/removing the front wheels

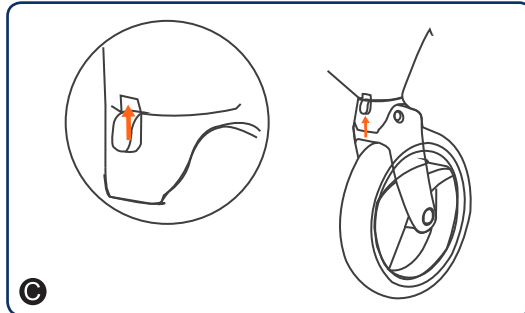
A. As shown in pic.A, please insert the axle of the front wheel into the front hole in the chassis in the direction of the arrow, you will hear a 'click' when it is installed correctly. (The wheels are NOT handed. Any front wheel can be installed either on the left or right side.)



B. As shown in pic.B, you can remove the front wheel by pressing the quick release button (see arrow 1) and pulling the front wheel downward as per arrow 2.

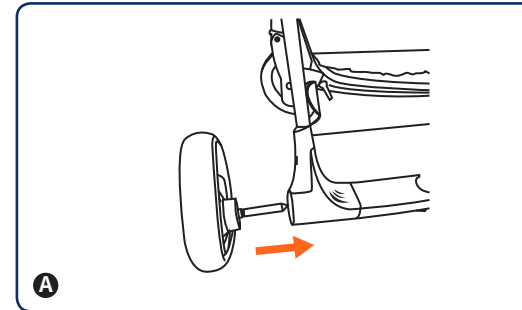


C. You can lock the front wheels into a forward facing position by engaging the swerve lock button. Align the button and the groove as per pic.C. and push upwards on the button.

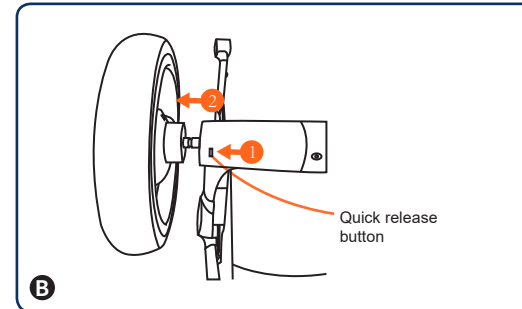


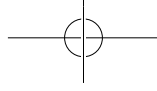
Installing/removing the rear wheels

A. As shown in pic.A, please insert the axle of the rear wheel into the rear hole in the chassis in the direction of the arrow, you will hear a 'click' when it is installed correctly. (The wheels are NOT handed. Any rear wheel can be installed either on the left or right side.)



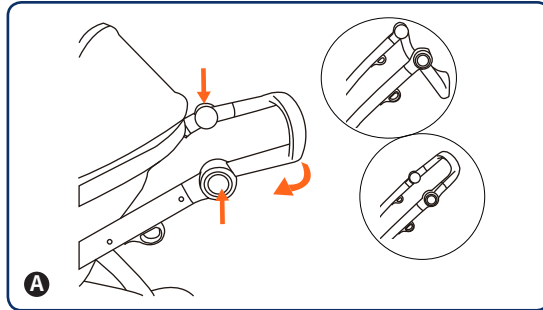
B. As shown in pic.B, you can remove the rear wheel by pressing the quick release button (see arrow 1) and pulling the rear wheel outwards as per arrow 2.



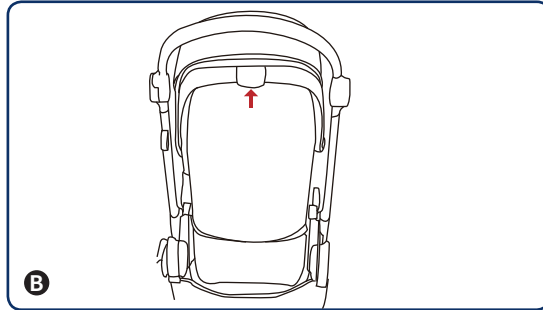


Adjusting the handlebar & Adjusting the seat angle

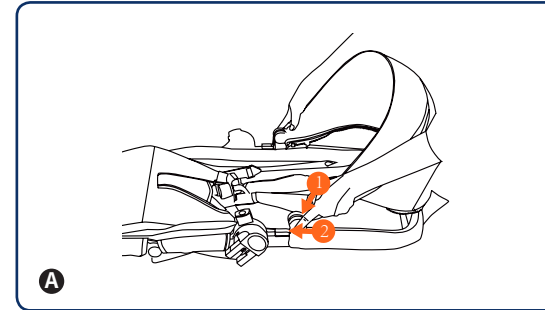
A. As shown in pic.A, press the handle adjustment buttons both sides of the handlebar. While keeping both buttons pressed, you can adjust the height by rotating the handle up and down.



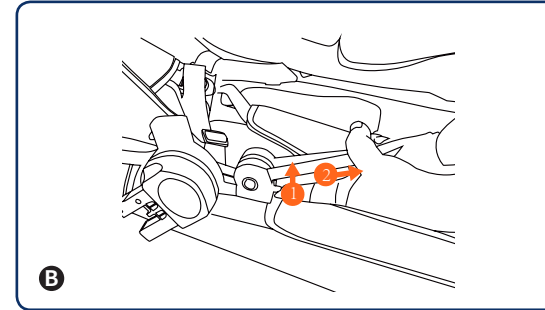
B. To adjust the seat recline, pull up the seat recline button, you can then lower the angle of the seat. To raise the angle simply lift the back of the seat upwards until you hear a 'click'.



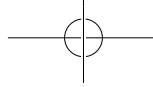
Installing/removing the Canopy



A. As shown in pic.A, align the sun canopy locks with the rectangular guides on the chassis. (with the zip facing the back of the seat). Then slide the canopy locks downwards onto the guides until you hear a 'click'.
Note: Ensure you don't catch the covers.
Align the zips on the canopy and seat and zip them up.



B. As shown in pic.B, push the lever of canopy lock in the direction of arrow 1, while sliding the canopy upwards in the direction of arrow 2.



Assemble and detach the seat unit & Change the direction of the seat

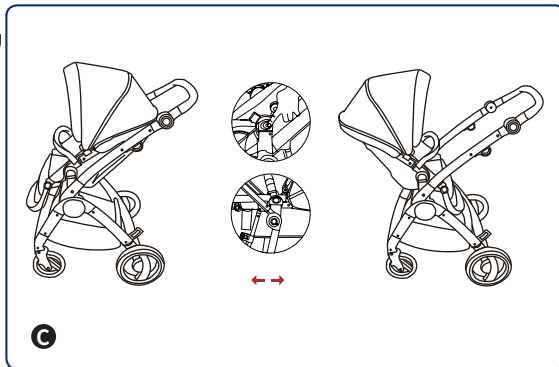
- A. As shown in pic.A, align the connectors on the seat with the receiver slots on the chassis. Push the seat unit downward. You will hear a 'click' sound, when the seat is locked in place.
(Always double check both connectors are locked.)



- B. To remove the seat, pull up on the quick release buttons as shown in pic.B. While holding both buttons up, pull the seat upwards away from the chassis.



- C. The seat can be used in both forward or parent facing positions. To change the facing position, follow the above steps to remove the seat, then rotate the seat 180° and then follow the above instructions to reattach the seat.



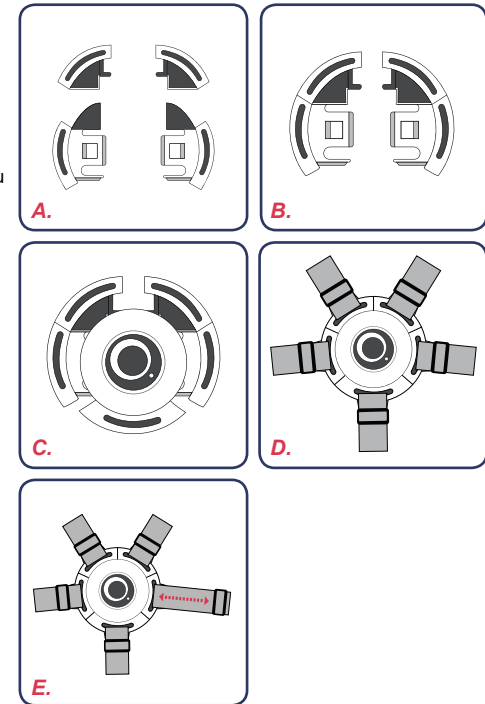
5-point restraint system

Press the button in the middle to release the safety harness.

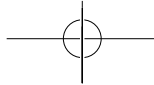
To secure the safety harness, align the bottom side harness into the top side harness. Then slide the clip in to safety buckle until you hear a 'click' sound. Then do the same for the other side.

As shown in pic.E, slide the adjusters up and down on all harness straps to adjust the belt length.

A — B — C — D

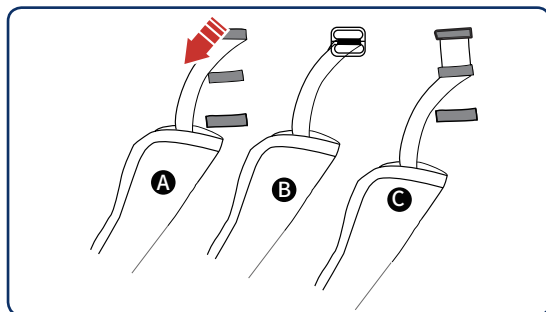


NOTICE :
Always use the harness belt correctly.



Adjust restraint shoulder height

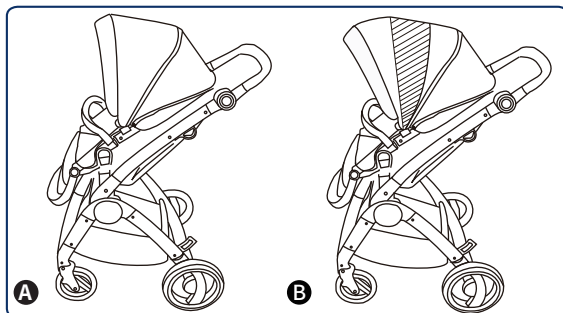
The shoulder straps have three height positions for your growing child. To change the strap position. Firstly, remove the buckle from the harness. Secondly, feed the harness through the correct loop for your child. Then reattach the harness to the buckle and adjust to the correct height.



Extending the Canopy

To extend the canopy, simply pull the canopy out from the front. To retract the canopy, push towards the back of the seat from the front.

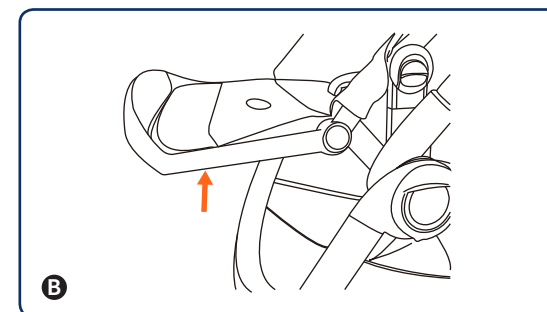
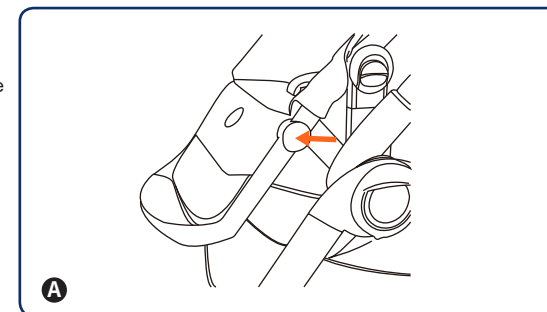
To use the extra ventilated section of the canopy, unzip the zip located on the canopy and pull from the front to extend the canopy an extra step.

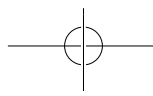


To retract the ventilation section, push the canopy towards the rear of the seat so the zips meet and re-zip up this section.

Adjusting the footrest

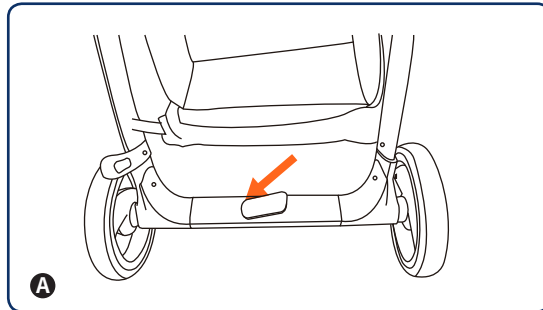
A. As shown in pic.A & B, to raise the footrest simply lift up the footrest until you hear a 'click'. To lower, press the footrest adjustment buttons on both sides of the seat, you can then adjust the footrest. There are 2 possible positions.





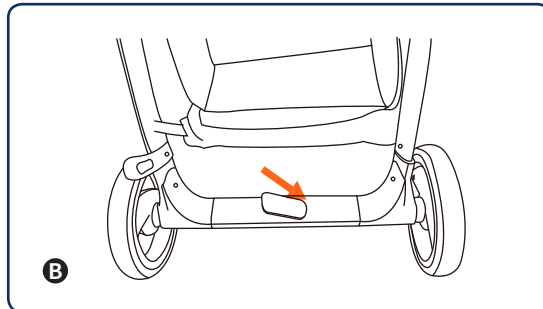
Applying the brake

A. The brake is situated on the bar between the rear wheels. Press down on the pedal's left side to apply the brake.



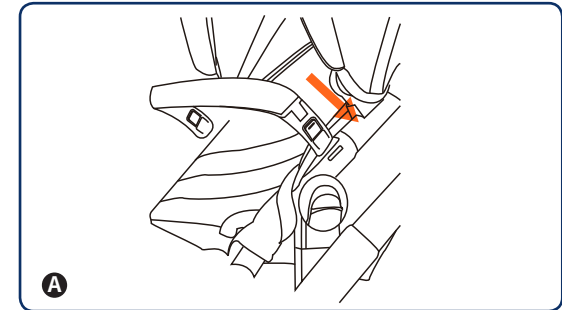
B. To release the brake, press the other side of the pedal down.

Note: The brake will not release if you are pushing or pulling the stroller when pressing the pedal.



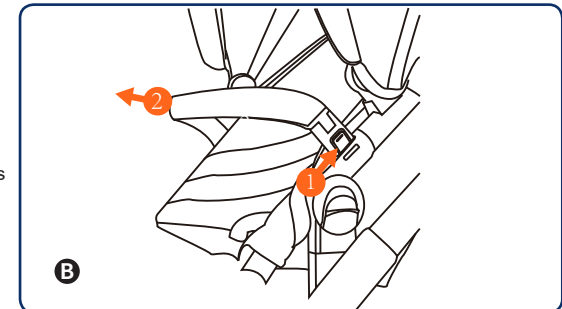
Installing/removing the safety bar

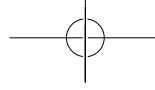
A. As shown in pic.A, align the safety bar with its receiver, and insert it as shown, until you hear a 'click'.



B. As shown in pic.B, press the safety bar buttons on both sides (see arrow 1) and gently remove (see arrow 2).

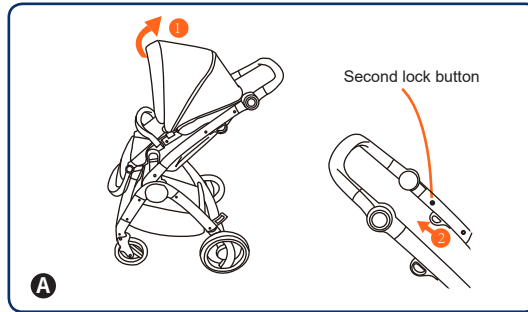
NOTE: Please note the correct position of the safety bar. It must be installed in this way.



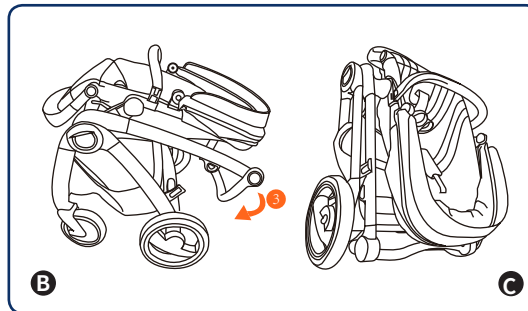


Fold the stroller with the seat

A. As shown in pic.A, first fold the canopy (see arrow 1). Press the second lock button with your thumb, and use your two index fingers to pull up the two triggers either side of the stroller at the same time (see arrow 2).



B. As shown in pic.B, push down on the chassis in the direction of arrow 3 until the chassis is locked as pic.C.



Attention:

- When folding the stroller, the seat unit must be facing forward with backrest at the most upright position.
- When you unfold the stroller, seat unit must face up and in seat mode.

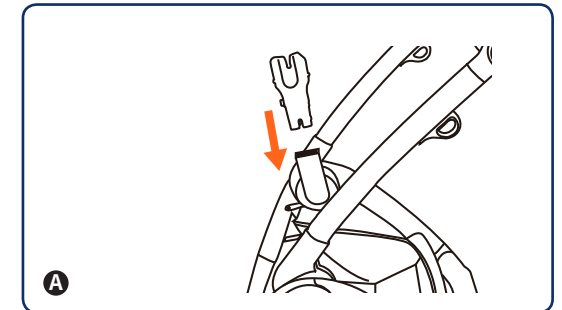
16

Using 3rd party baby carriers / car seat

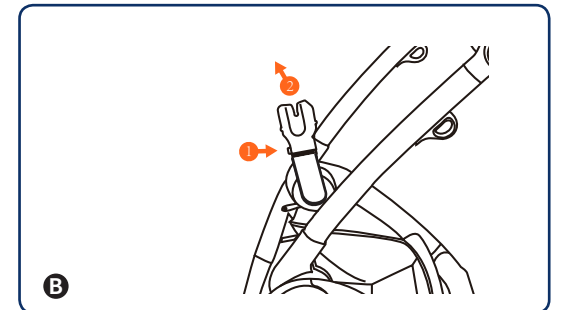
The Champion can be used with the most popular brands of car seats such as Maxi-Cosi and of course our own Cozy N Safe car seats. For a full list of compatible car seats please check www.cozynsafe.com

A. Insert the adapters into the receiver slot on the chassis. The adapters are handed and will only fit in one way. You will hear a 'click' when the adapter has been successfully installed in the correct position.

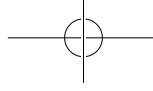
Then please follow the instructions on the car seat / baby carrier.



B. To remove the adapters push the release button in (arrow 1.) Then pull the adapter upwards away from the chassis (arrow 2).



17



EN

OPTIONAL ACCESSORIES

Rain cover
Foot muff

MAINTENANCE

Clean the fabric with lukewarm water and non abrasive soap.
Rinse with fresh water and leave to dry.
Never use bleach or other chemical detergents.

Periodically (approximately once a month) treat the wheels and metal parts with Teflon or silicon spray to ensure the stroller continues to run smoothly.

Check the screws, small parts and the stitching to avoid danger or any breakages, replace the broken parts in time when necessary.

WARRANTY

The 12-month warranty period commences on the day of purchase. The warranty covers manufacturing faults, but not the exchange or return of the product.

The warranty is only valid if you supply the following items:

- 1) Proof of purchase
- 2) A detailed description of the defect.

The warranty is not valid in the following cases:

The products is returned without the original receipt of purchase. The defects and/or damage are caused by improper use and/or by modifications made by the customer.

The discolouration/stains were caused by washing, rain or sun.

The wear and tear is a result of normal usage.

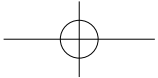
Any repairs do not extend the warranty period.

Full warranty Terms & Conditions can be found on www.cozynsafe.com

The Cozy N Safe Champion meets the highest safety standards: Europe: BS EN1888-1:2018

18

19



COZY **N** SAFE[®]
Without Compromise...

www.cozynsafe.com

We'd love to see your pics!
Share them using #imcozynsafe



Cozy N Safe
Oxford Street, Wolverhampton, West Midlands, WV14 7DP, U.K.
Tel: +44 (0) 1902 494905
Fax: +44 (0) 1902 490211
Email: enq@cozynsafe.com
Website: www.cozynsafe.com