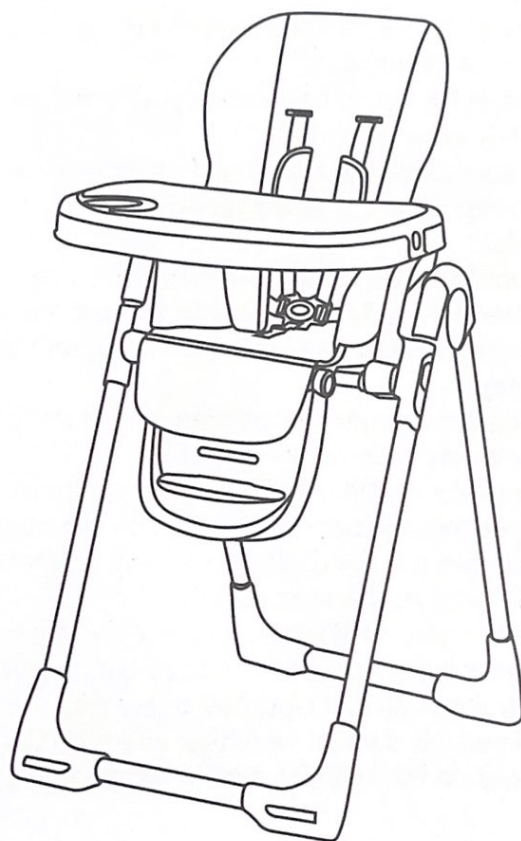


COZY **N** SAFE<sup>®</sup>  
Without Compromise...

EST-1014-F Wye



INSTRUCTION MANUAL FOR HIGH CHAIR



EN 14988: 2017+A1: 2020

# IMPORTANT! READ CAREFULLY AND KEEP FOR FUTURE REFERENCE!

EN

## WARNING

1. WARNING! "Never leave the child unattended".
2. WARNING! "Always use the restraint system".
3. WARNING "Falling hazard: Prevent your child from climbing on the product".
4. WARNING "Do not use the product unless all components are correctly fitted and adjusted".
5. WARNING "Be aware of the risk of open fires and other sources of strong heat in the vicinity of the product".
6. WARNING "Be aware of the risk of tilting when your child can push its feet against a table or any other structure".
7. WARNING "Please ensure that the high chair has been assembled correctly by following the instruction sheet provided, failure to do so can cause harm to your child".
8. WARNING "Do not use the product until the child can sit up unaided".
9. WARNING "Do not use the product if any part is broken, torn or missing".
10. WARNING "Please keep children away when unfolding and folding the product to avoid injury".
11. WARNING "The product is intended for children able to sit up unaided and up to 3 years or a maximum weight of 15 kg".
12. WARNING "Please make sure the harness is correctly fitted".
13. WARNING "Please periodically check the buttons and harness system for safety".
14. WARNING "Please always use the chair on a flat even surface".
15. WARNING "The chair must not be used as a toy".
16. WARNING "Do not allow your child to stand up whilst in the high chair".
17. WARNING "Ensure your high chair is fully erected before placing your child inside".
18. WARNING "Regularly check all parts for wear or breaks".
19. WARNING "Please keep this manual for further reference".
20. WARNING "Please ensure that the high chair is assembled by an adult".

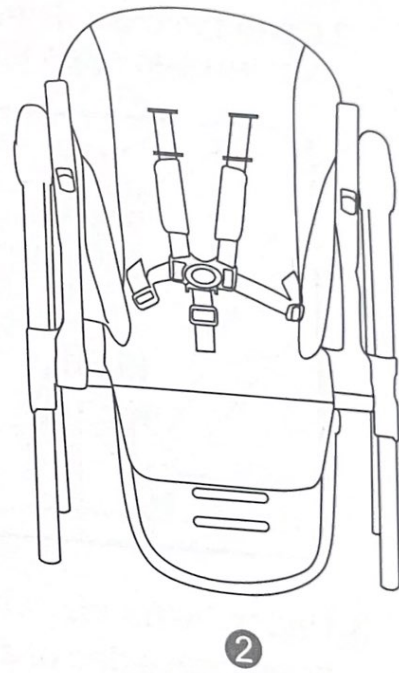
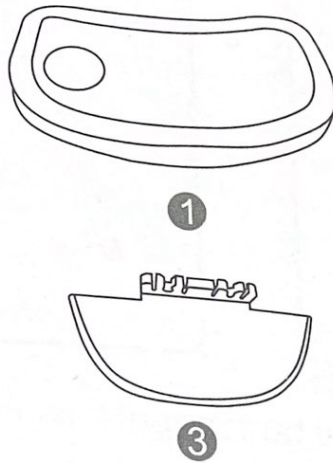
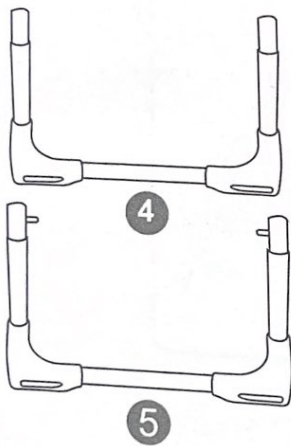
## CLEANING & CARE

1. Clean all fabrics with warm water and mild soap. Let them dry.
2. Heavy dirty spots clean with non abrasive cream.
3. Oil all movable parts regularly.

# Assembling Instruction

## 1. Parts List

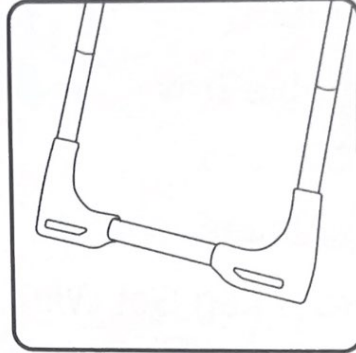
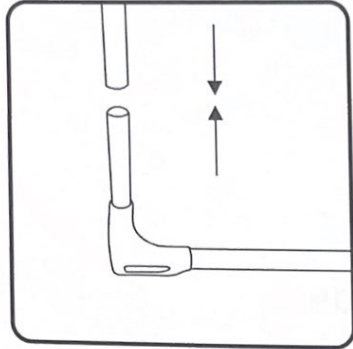
- ① Double Tray
- ② Chair part
- ③ Footplate
- ④ Front Leg Set With Stopper
- ⑤ Rear Leg Set With Wheel



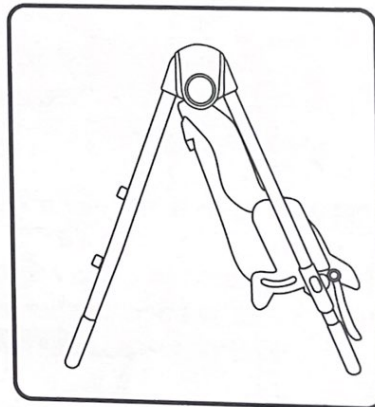
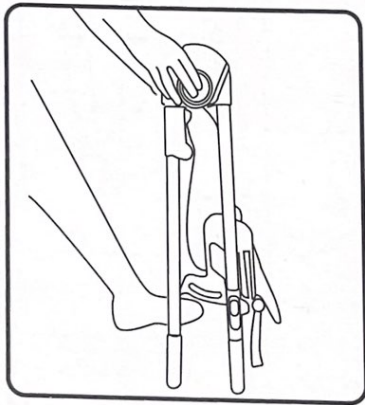
## 2. Assemble

1. Install the steel tubes

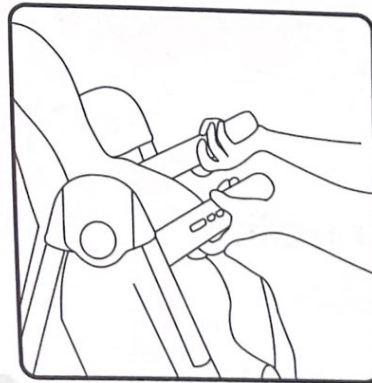
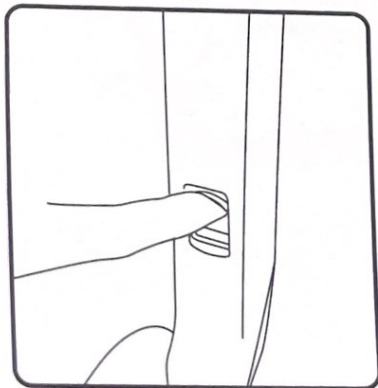
Insert the steel tubes into the plastic feet like the picture, please noted that the front steel tube and rear steel tube is different.



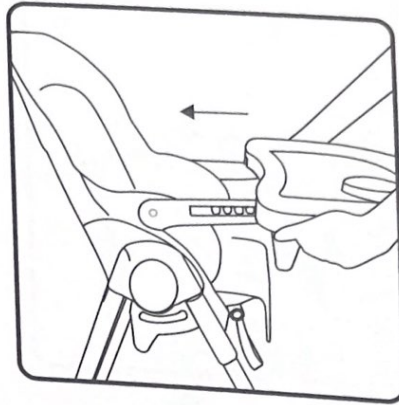
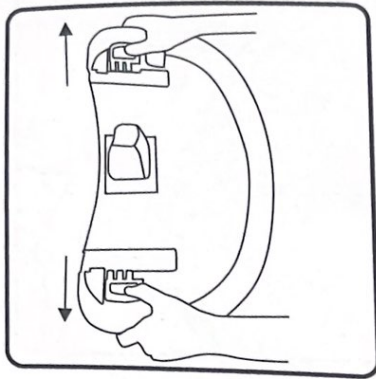
2. Open the chair: Press the buttons on either side of chair (like the picture) and open the chair back.



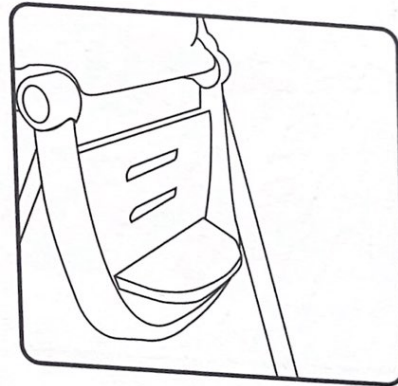
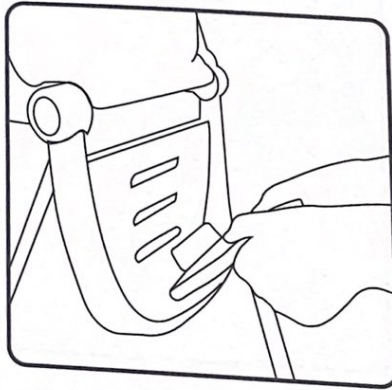
3. Under the handle with a button, put forward it then put down both sides of armrest.



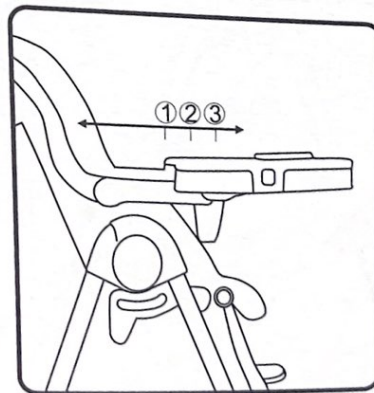
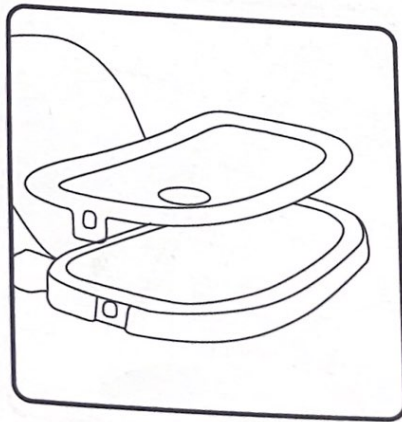
4. Insert the tray: as picture, pull out the two buttons by two hands then insert.



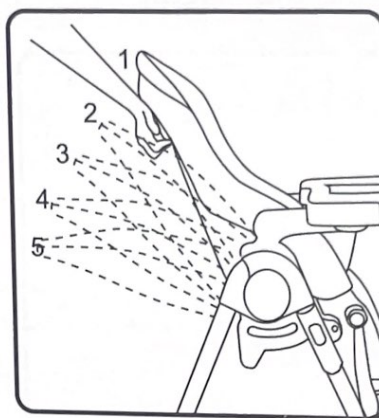
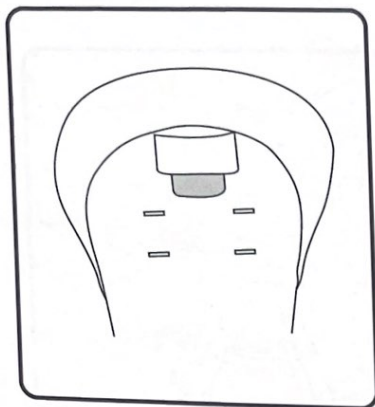
5. Install the footrest  
Take out the footrest, then find the proper position on the leg rest for installation.



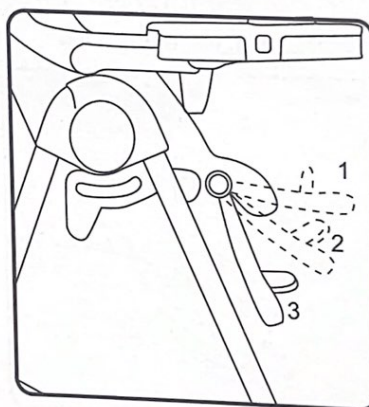
6. Double tray: 3-position double tray adjust by two hands.



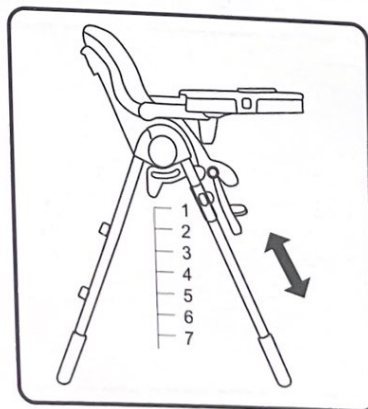
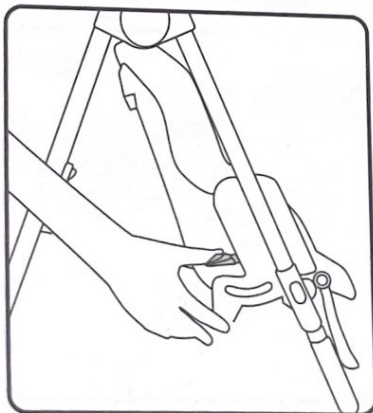
7. 5 positions for backrest: Press the button at the back of the backrest to adjust the position, which can be lie flat.



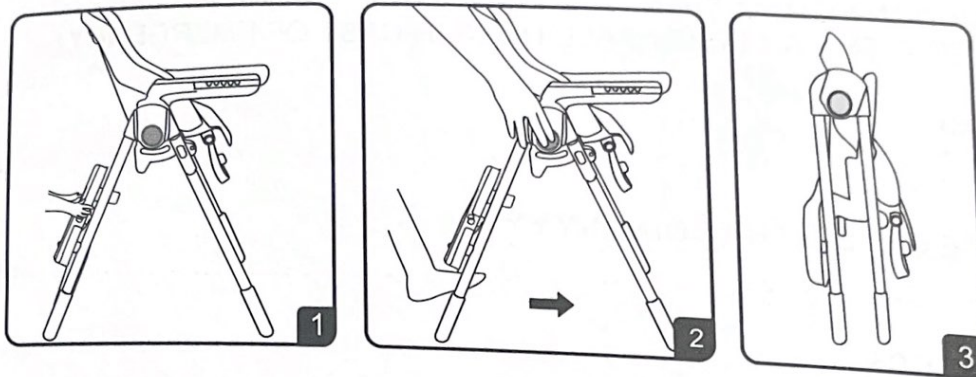
8. 3 positions for footplate: Press the left and right buttons like picture.



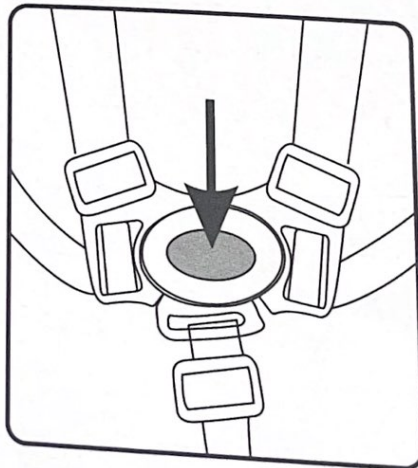
9. 7 positions for height: Press the left and right buttons with both hands and slide up and down to adjust the height of the seat.



10. Fold the chair  
Remove the tray and hang it on the rear leg, then press the left and right button at the same time like drawing 2. Then push the rear leg of highchair forward with your feet.



11. How to use 5-point harness: Press the arrow as shown, the belt will be unfolded. Fixed safety belt when baby sit on the chair.



COZY  SAFE®

Without Compromise...

CHILD INFORMATION  
(KEEP WITH CAR SEAT AT ALL TIMES IN CASE OF EMERGENCY)

NAME:

.....

DATE OF BIRTH (DD/MM/YYYY):

.....

ADDRESS:

.....  
.....  
.....

ALLERGIES/MEDICAL CONDITIONS:

.....  
.....  
.....

EMERGENCY CONTACT 1 :

NAME:

.....

PHONE NUMBER:

.....

EMERGENCY CONTACT 2 :

NAME:

.....

PHONE NUMBER:

.....

[www.cozynsafe.com](http://www.cozynsafe.com)

Cozy N Safe  
Oxford Street, Wolverhampton, West Midlands, WV14 7DP, UK  
Tel: +44 (0) 1902 494905 | Email: [enq@cozynsafe.com](mailto:enq@cozynsafe.com)