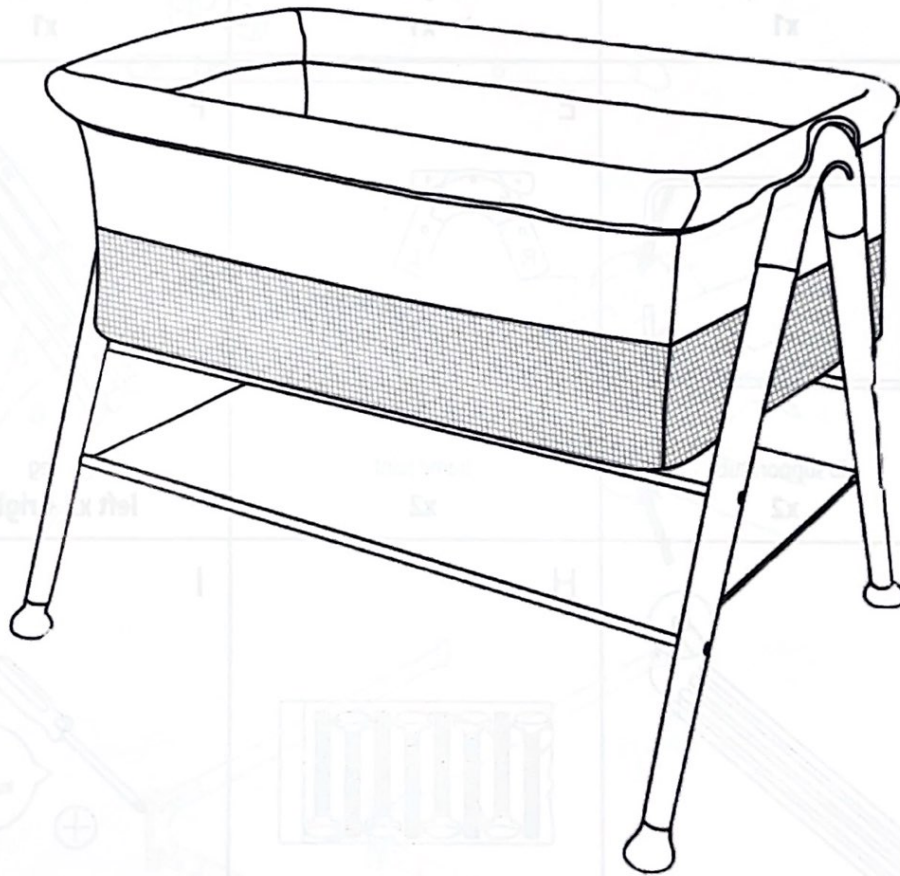


Edinburgh

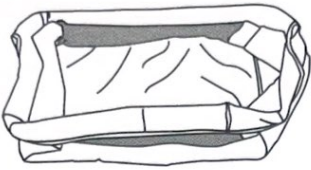
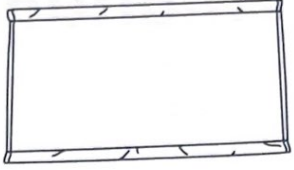


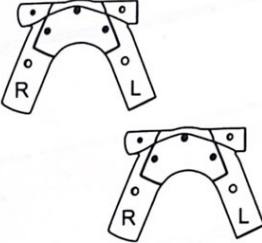
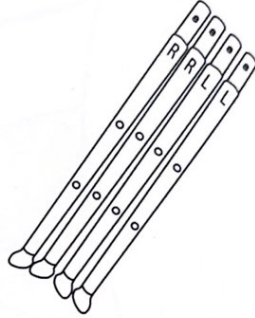
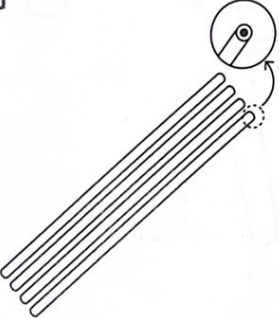
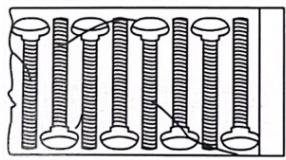

BEDTIME BASSINETTE

Instruction Manual



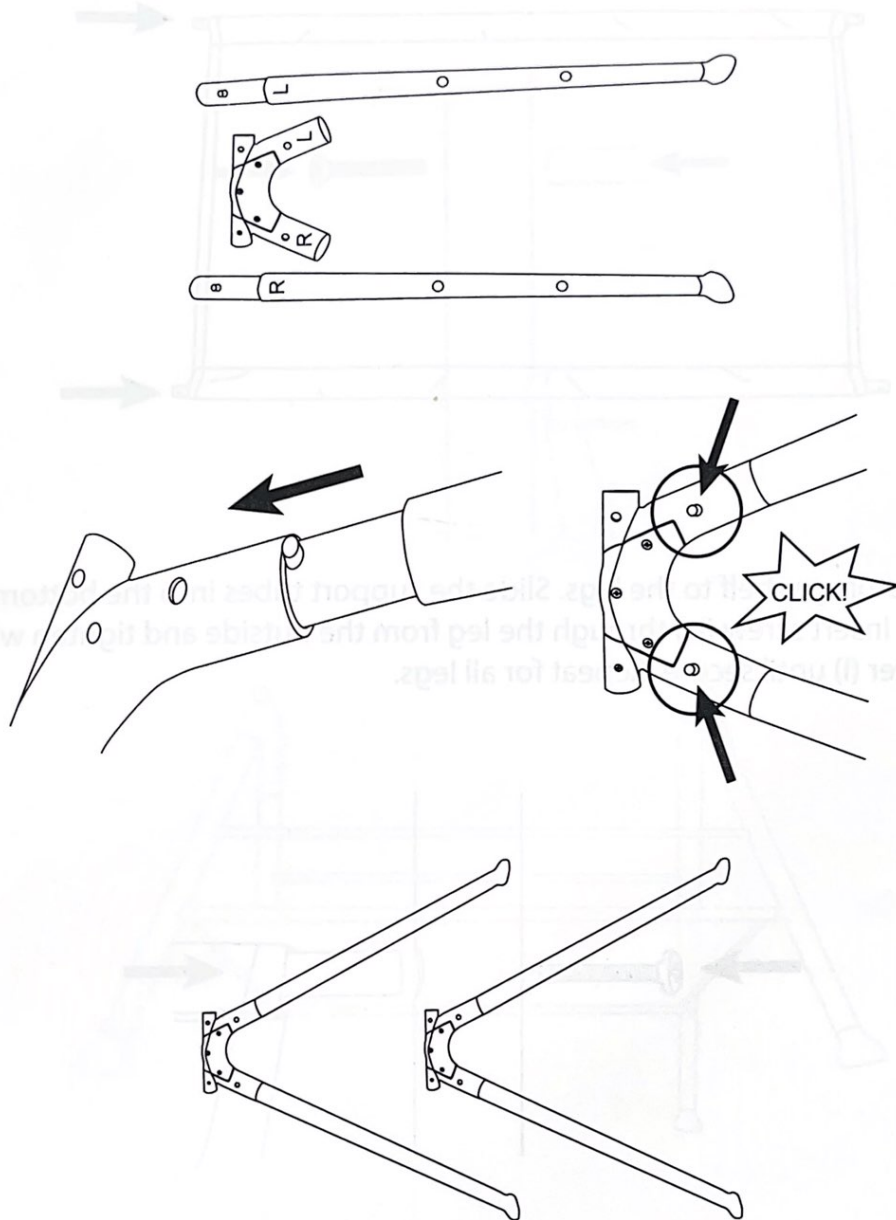
IMPORTANT:
RETAIN FOR FUTURE REFERENCE
READ CAREFULLY

Parts List

<p>A</p>  <p>crib body x1</p>	<p>B</p>  <p>storage shelf x1</p>	<p>C</p>  <p>mattress x1</p>
<p>D</p>  <p>crib support tube x2</p>	<p>E</p>  <p>frame joint x2</p>	<p>F</p>  <p>leg left x2 + right x2</p>
<p>G</p>  <p>frame support tube x4</p>	<p>H</p>  <p>screw x8</p>	<p>I</p>  <p>Phillips-head screwdriver x1</p> <p>not included</p>

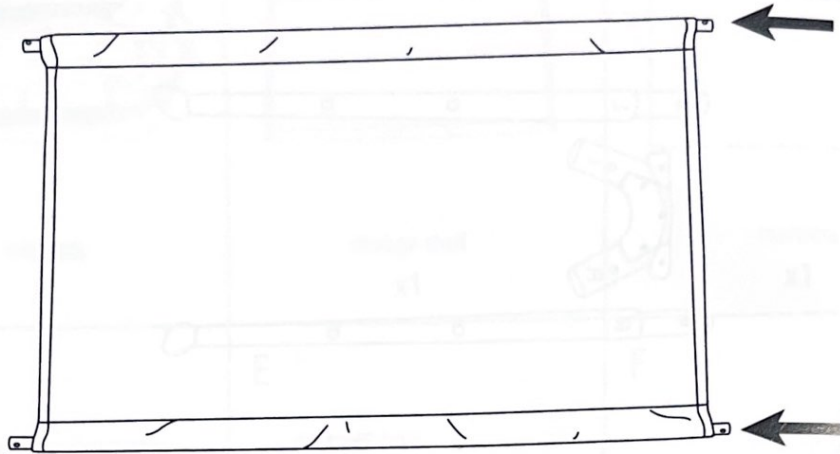
Assembly

1. Attach one left leg (F) and one right leg (F) to each frame joint (E). Ensure the L and R labels are matching. Push in leg push pin and insert leg into joint until push pin pops out of corresponding joint hole. The leg is secure when you hear the "click" sound.

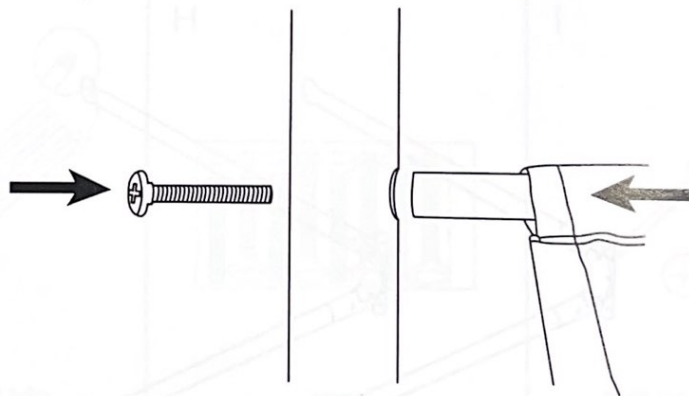


Assembly

2. Slide two frame support tubes (G) through the two sides of the fabric storage shelf (B).

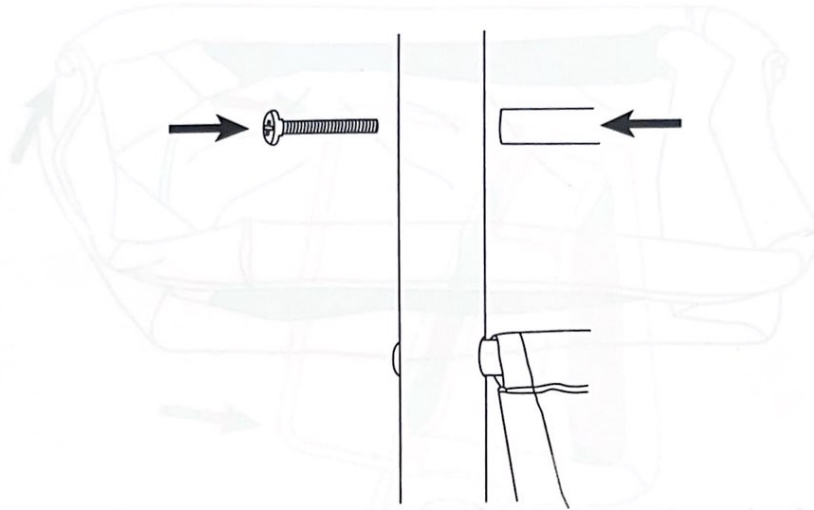


3. Fit the storage shelf to the legs. Slide the support tubes into the bottom leg holes. Insert screw (H) through the leg from the outside and tighten with screwdriver (I) until secure. Repeat for all legs.

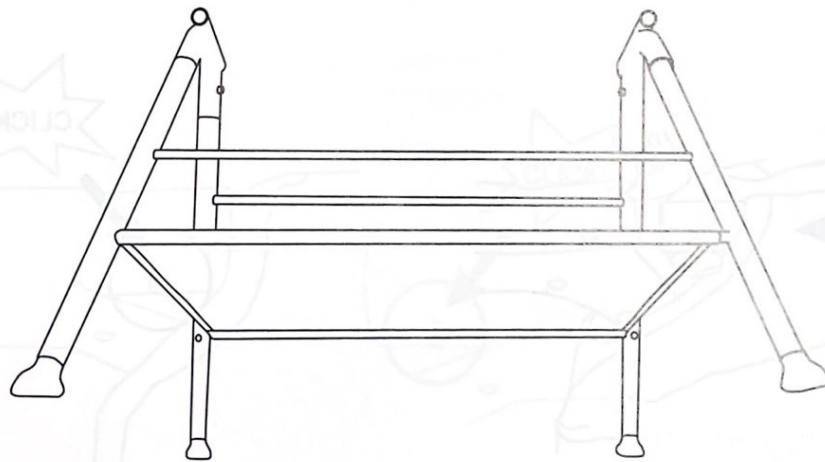


Assembly

4. Secure the frame with the two remaining frame support tubes. Slide the frame support tube (G) through the top leg hole. Insert screw (H) through the leg from the outside and tighten with screwdriver (I) until secure. Repeat for all legs.

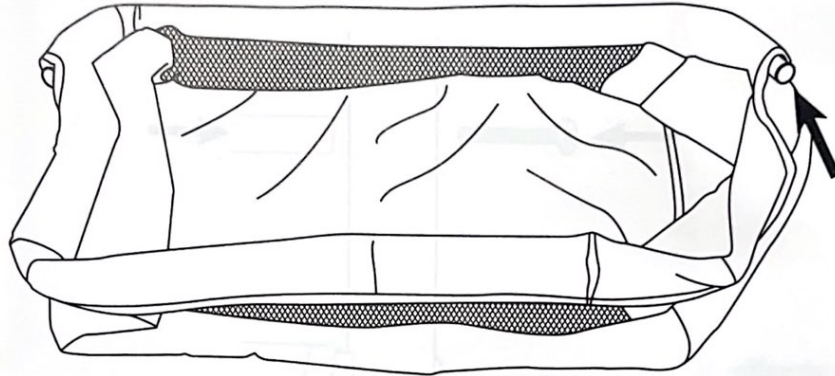


Fit the crib body to the assembled frame. Push in support tube push pin and insert tube into frame joint (E) until push pin pops out of corresponding joint. The tube is secure when you hear the "click" sound.

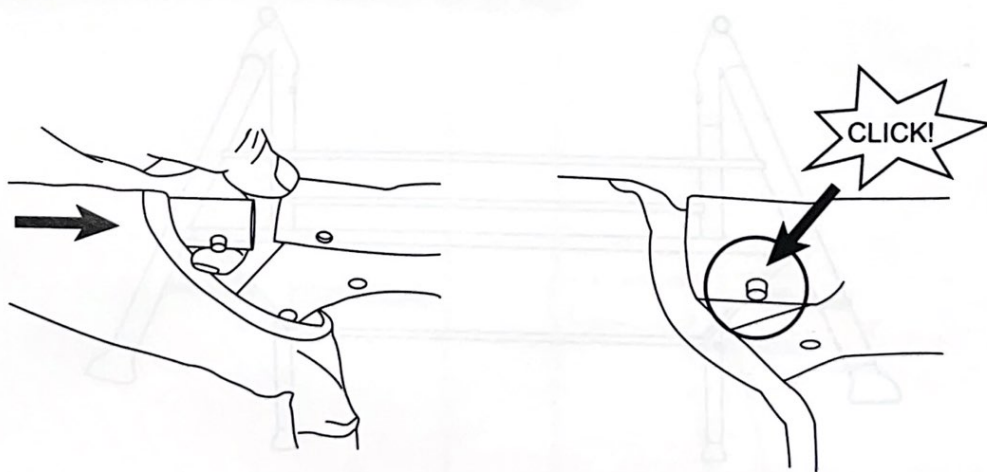


Assembly

5. Slide one crib support tube (D) all the way through the non-zipper side of the crib body (A).



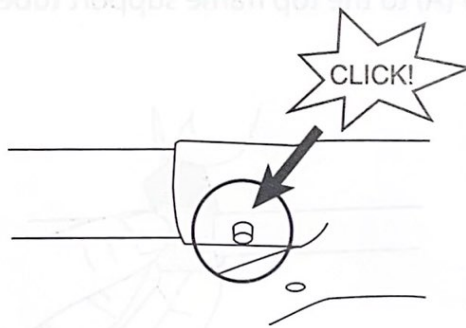
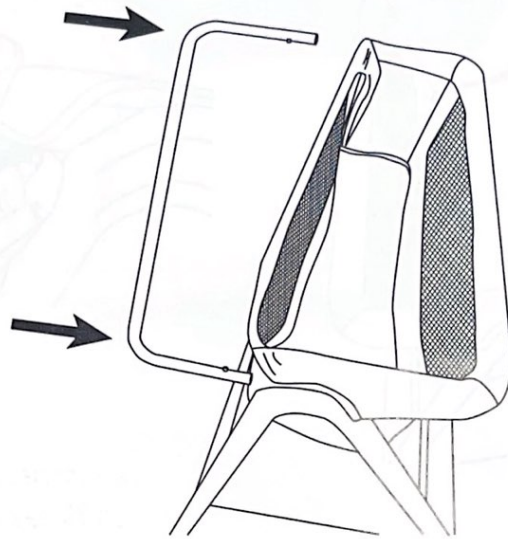
6. Fit the crib body to the assembled frame. Push in support tube push pin and insert tube into frame joint (E) until push pin pops out of corresponding joint hole. The tube is secure when you hear the "click" sound.



Assembly

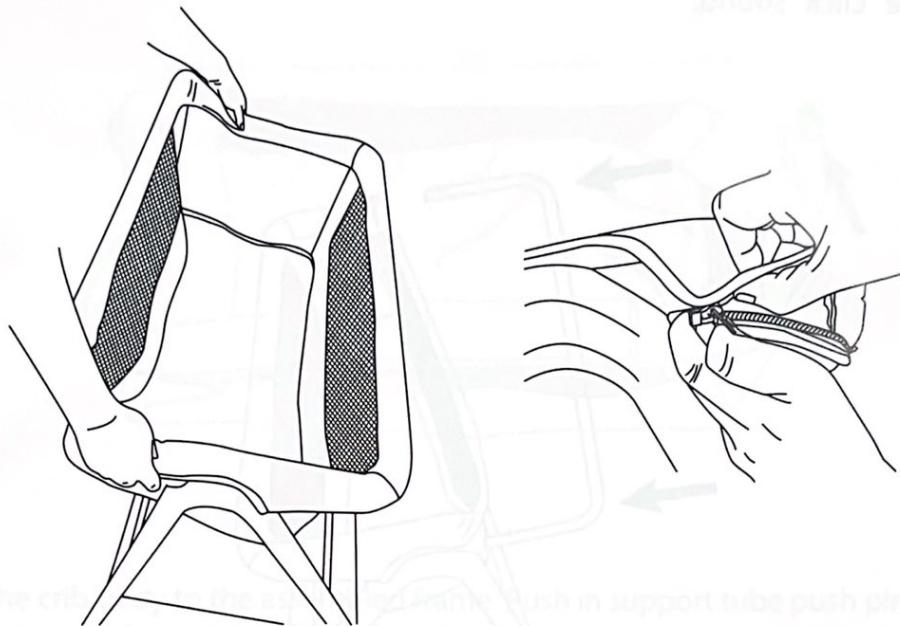
Assembly

7. Insert the remaining crib support tube (D) into the other side of the assembled frame. Push in support tube push pin and insert tube into frame joint (E) until push pin pops out of corresponding joint hole. The tube is secure when you hear the "click" sound.

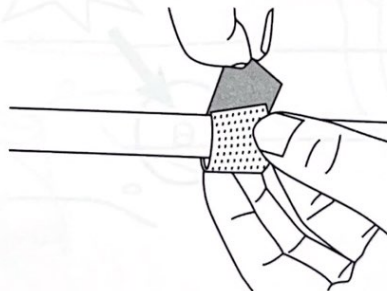


Assembly

8. Fold the zipper side of the crib body (A) over the crib support tube (D). Secure by zipping the zipper completely closed around the support tube.

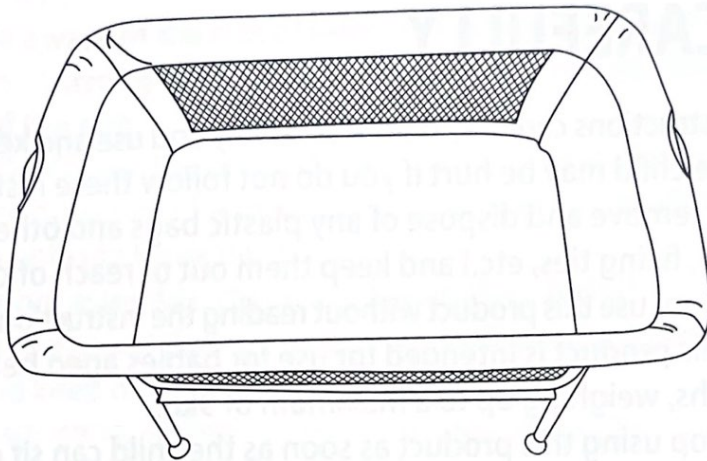


9. Fully secure the crib body to the frame by fastening the velcro loops on the bottom of the crib body (A) to the top frame support tubes (G).



Assembly

10. Place the mattress (C) into the assembled crib.



Safety

WARNING!

RETAIN FOR FUTURE REFERENCE

READ CAREFULLY

Read these instructions carefully before assembly and use and keep for future reference. The child may be hurt if you do not follow these instructions.

Before using, remove and dispose of any plastic bags and other packaging (e.g. fasteners, fixing ties, etc.) and keep them out of reach of children.

WARNING! Do not use this product without reading the instructions for use first.

WARNING! This product is intended for use for babies aged between 0 and 6 months, weighing up to a maximum of 9kg.

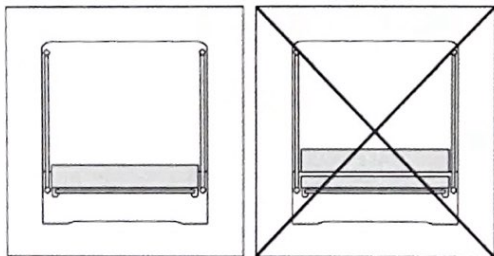
WARNING! Stop using this product as soon as the child can sit or kneel or pull itself up.

WARNING! Placing additional items in the product may cause suffocation.

WARNING! Do not place the product close to another product, which could present a danger of suffocation or strangulation, e.g. strings, blind/curtain cords, etc.

WARNING! Do not use more than one mattress in the product.

WARNING! Only use the mattress sold with this crib. **DO NOT** add a second mattress on top of supplied mattress - suffocation hazards.



WARNING! Overloading and the use of unapproved accessories may cause damage to the crib.

Safety

WARNING! The product is ready for use only when all locking mechanisms are engaged. Check carefully that these are engaged before use.

WARNING! Do not attempt to move or lift the product when a child is in it.

WARNING! Make sure the users of this product are knowledgeable on its proper operation.

WARNING! Be aware of the risk of burning cigarettes, open fires and other sources of strong heat, such as electric bar fires, gas fires etc. in the vicinity of the crib.

WARNING! DO NOT use the product if any part is broken, torn or missing. Contact the manufacturer for replacement parts and instructional literature if needed. Do not substitute parts.

WARNING! Before assembly, check that the product and all of its components have not been damaged during transportation. Should any part be damaged, do not use and keep out of reach of children.

- All opening, adjusting, anchoring and positioning operations of the product must be carried out exclusively by an adult.
- The product must always be placed on a horizontal surface. Never leave the product on an inclined surface with the child inside of it.
- Children must not be permitted to play without supervision near the product.
- Do not use the product without the frame.
- Only use the mattress supplied by the manufacturer.
- The thickness of the mattress must be such that the vertical height (upper surface of the mattress until the upper edge of the product's sides) is at least 300mm.
- Do not use more than one mattress in the product.
- The reference mark on the product's interior indicates the maximum thickness of the mattress that shall be used.
- Do not leave any object inside the product that could reduce its depth.
- Do not position the product near walls and obstacles to prevent trapping hazards.
- Do not leave small objects inside the product to prevent choking hazards.
- Use only spare parts approved by the manufacturer. Do not apply accessories to the product, which are not supplied by the manufacturer.
- Do not adjust the product with the child inside.

Safety

- Do not move the product with the child inside.
- Do not use the product for more than one child at a time.
- The product must be kept away from electric cables and cords: do not place the product near windows where cords, curtains or similar objects could pose choking or strangling hazards for the child. To avoid strangling hazards, do not give to your child or place near her/him, objects equipped with cords.
- All assembly fittings should be tightened properly and care should be taken to ensure no screws are loose, as a child could trap parts of the body or clothing e.g. strings, necklaces, ribbons etc. which could pose a risk of strangulation.
- When not in use, keep the product away from the reach of children.
- A prolonged exposure to the sun may cause changes of tones to the product's colour. After a prolonged exposure of the product to high temperatures, wait a few minutes prior to placing your child in it.

This crib conforms to EN 1130:2019 and EN 16890:2017

Maintenance

Always check parts regularly for tightness of bolts, nuts and other fasteners - tighten or replace if required.

Check the strength of the fabric covers from time to time. Defective or worn parts must be replaced; as should components which are broken, torn, defective or worn out.

Use only parts and accessories approved by the manufacturer.

Cleaning

Hand wash the mattress cover using mild soap or upholstery shampoo.
Spot clean the crib lining using mild soap or upholstery shampoo.
NEVER use bleach. Air dry in shade thoroughly before reuse and avoid direct heat and sunlight. DO NOT iron. DO NOT dry clean.

Check the resistance of the fabric and the stitching after cleaning.

Wipe the frame using warm water and a mild detergent. NEVER use bleach.
Never clean any part of the crib with abrasive, ammonia based, bleach based or spirit type cleaners.

Ensure the product is fully dry before use or storage.

Always ensure the crib is stored in a dry place to prevent mold or mildew developing. Store away from any heat sources and not in the sun.

Supplied by

Baby Factory (NZ) Ltd

www.babyfactory.co.nz